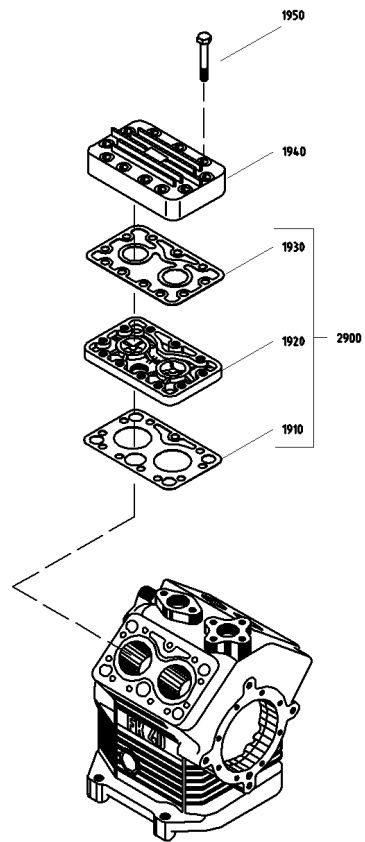
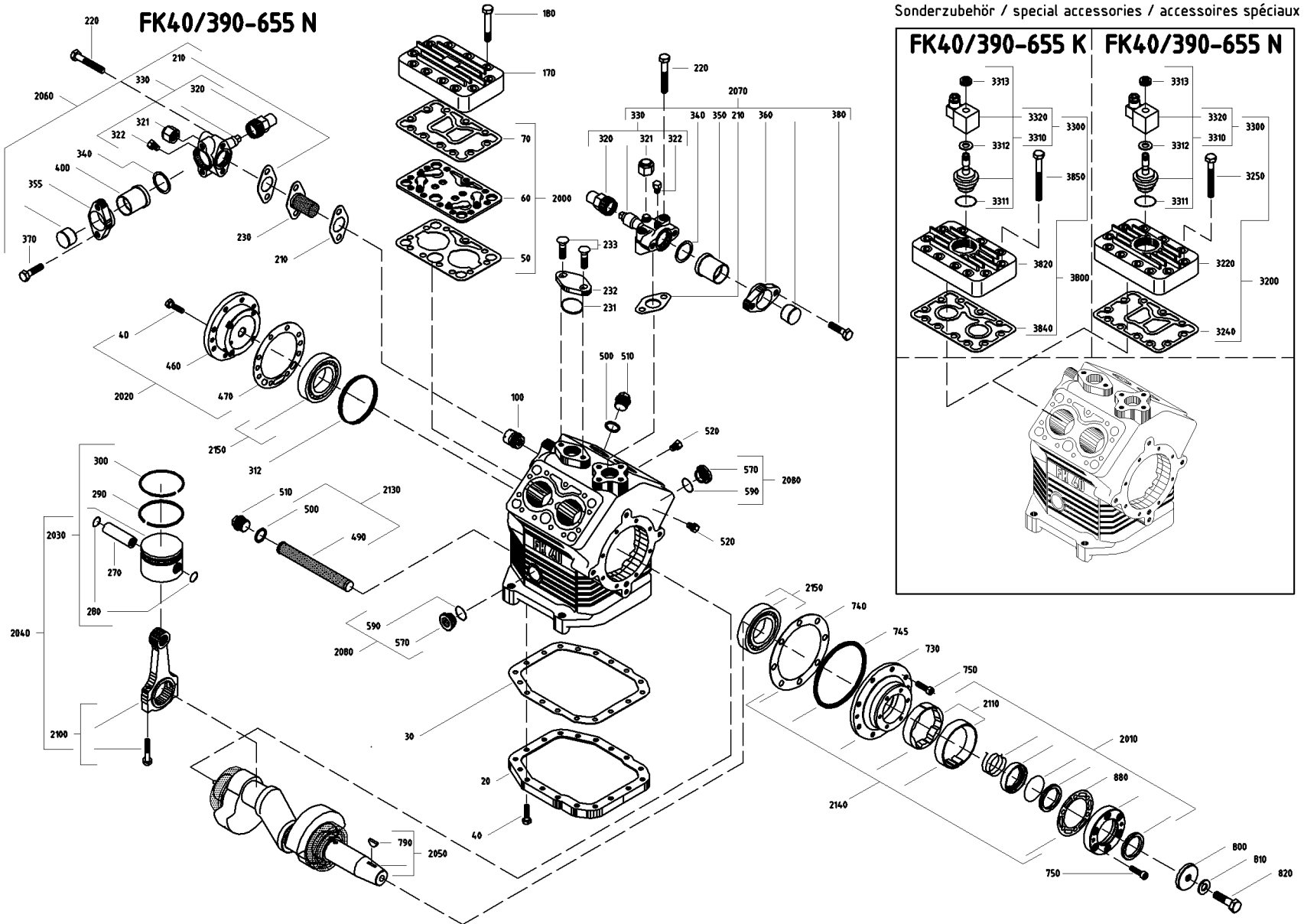


FK40/390-655 K

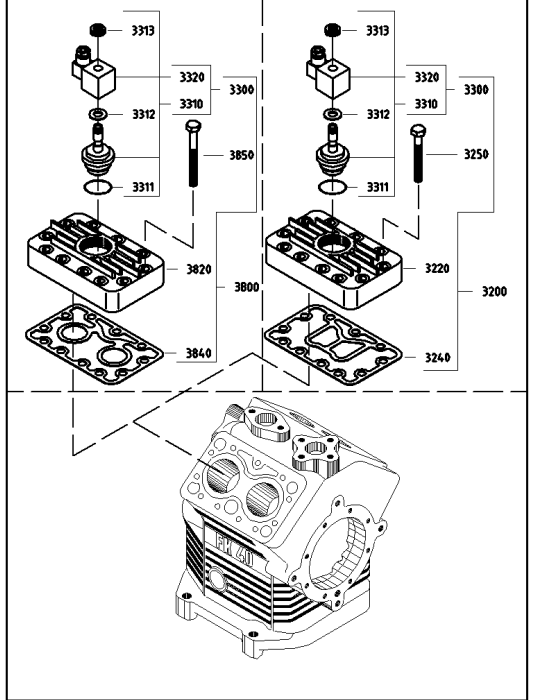


FK40/390-655 N



Sonderzubehör / special accessories / accessoires spéciaux

FK40/390-655 K FK40/390-655 N



Fahrzeugverdichter / Vehicle Compressor / Compresseur pour automobiles

Typ	Nr.	Typ	Nr.	Typ	Nr.	Typ	Nr.
FK40/390 K	13978	FK40/560 K	13982	FKX40/390 K	13986	FKX40/560 K	13990
FK40/390 N	13977	FK40/560 N	13981	FKX40/390 N	13985	FKX40/560 N	13989
FK40/470 K	13980	FK40/655 K	13984	FKX40/470 K	13988	FKX40/655 K	13992
FK40/470 N	13979	FK40/655 N	13983	FKX40/470 N	13987	FKX40/655 N	13991

Zeichn.-Nr./Drawing no./Numéro de plan:

1.0851-13979.0

Stand/As of date/État: 08/2001